

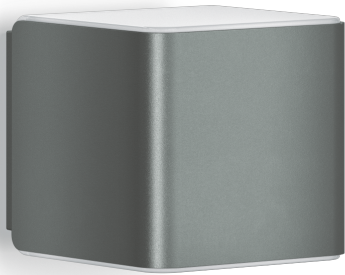
Sensor-switched LED outdoor light

L 840 SC

Anthracite

EAN 4007841 055530

Article number 055530



LED

30 years (Ø 4,5h / day)

3000 K

3000K warm-white



intelligent high frequency sensor
160°



1 - 5 m



IP44



2 - 2000 lux



5 sec - 60 min



soft light start



manual override
4h



energy saving

Function description

Digital. Interconnected. Intelligent. The L 830/835/840 LED iHF range of sensor-switched lights captivates with a classy look and embellishes any building. With concealed 160° iHF sensor (5 m reach) that only responds to human movement. Night-light function, soft light start and 4-hour manual override (3000 K). Wireless interconnection via Bluetooth, any chosen settings via STEINEL app. Three design options. Available in anthracite or silver.

L 840 SC

Anthracite

EAN 4007841 055530

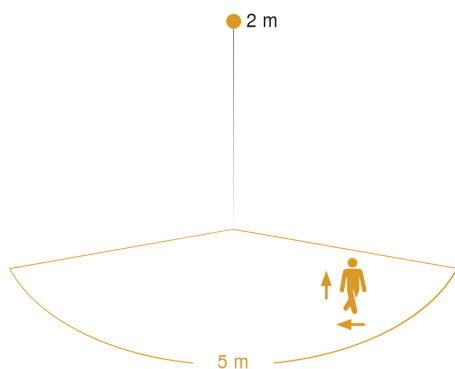
Article number 055530

Technical specifications

Dimensions (L x W x H)	134 x 110 x 110 mm
Mains power supply	220 – 240 V / 50 – 60 Hz
Mounting height max.	2,50 m
Sensor Technology	iHF (intelligent high-frequency technology)
Output	9,1 W
Interconnection	Yes
Slave mode/selectable	Yes
Colour temperature	3000 K
Farbwiedergabeindex	= 82
With lamp	Yes, STEINEL LED system
Lamp	LED cannot be replaced
LED life expectancy (max. °C)	50000 h
LED life expectancy (25 °C)	> 60000 h
Base	without
LED cooling system	Passive Thermo Control
With motion detector	Yes
Detection angle	160 °
Angle of aperture	160 °
Capability of masking out individual segments	Yes
Electronic scalability	Yes
Mechanical scalability	Yes
Reach, detail	Detection zone adjustable on 2 axes

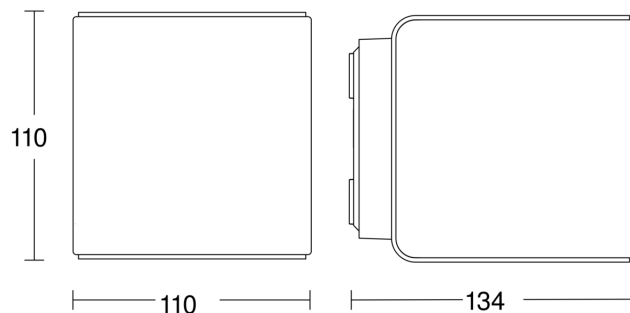
Photo-cell controller	Yes
Twilight setting	2 – 2000 lx
Time setting	5 s – 60 Min.
Basic light level function	Yes
Basic light level function time	10/30 min, all night
Main light adjustable	10 - 100 %
Functions	Motions sensor, Selecting programmed lighting scenarios, Lighting scenario, Night economy mode
Soft light start	Yes
Continuous light	selectable, 4h
Impact resistance	IK03
IP-rating	IP44
Protection class	II
Ambient temperature	-20 – 40 °C
Housing material	Plastic
Cover material	Plastic, opal
Manufacturer's Warranty	3 years
includes sheet of self-adhesive numbers	No
Settings via	Bluetooth, App, Smartphone
With remote control	No
Version	Anthracite
PU1, EAN	4007841055530

Detection Zone



Mögliche Montagehöhe: 1,80 m – 2,50 m
 Orange: radial und tangential

Dimension Drawing



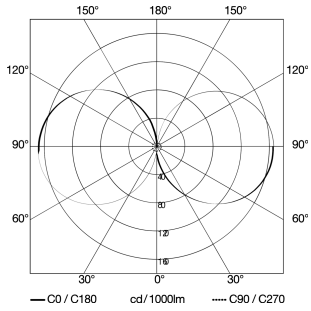
L 840 SC

Anthracite

EAN 4007841 055530

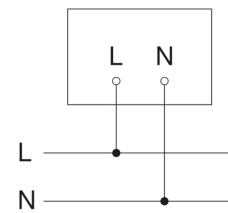
Article number 055530

Light Distribution Curve



Output	9,1 W
With lamp	Yes, STEINEL LED system
Lamp	LED cannot be replaced
Colour temperature	3000 K
Farbwiedergabeindex	= 82
LED life expectancy (max. °C)	50000 h
LED cooling system	Passive Thermo Control

Master/slave interconnection circuit diagram



Master/master interconnection circuit diagram

